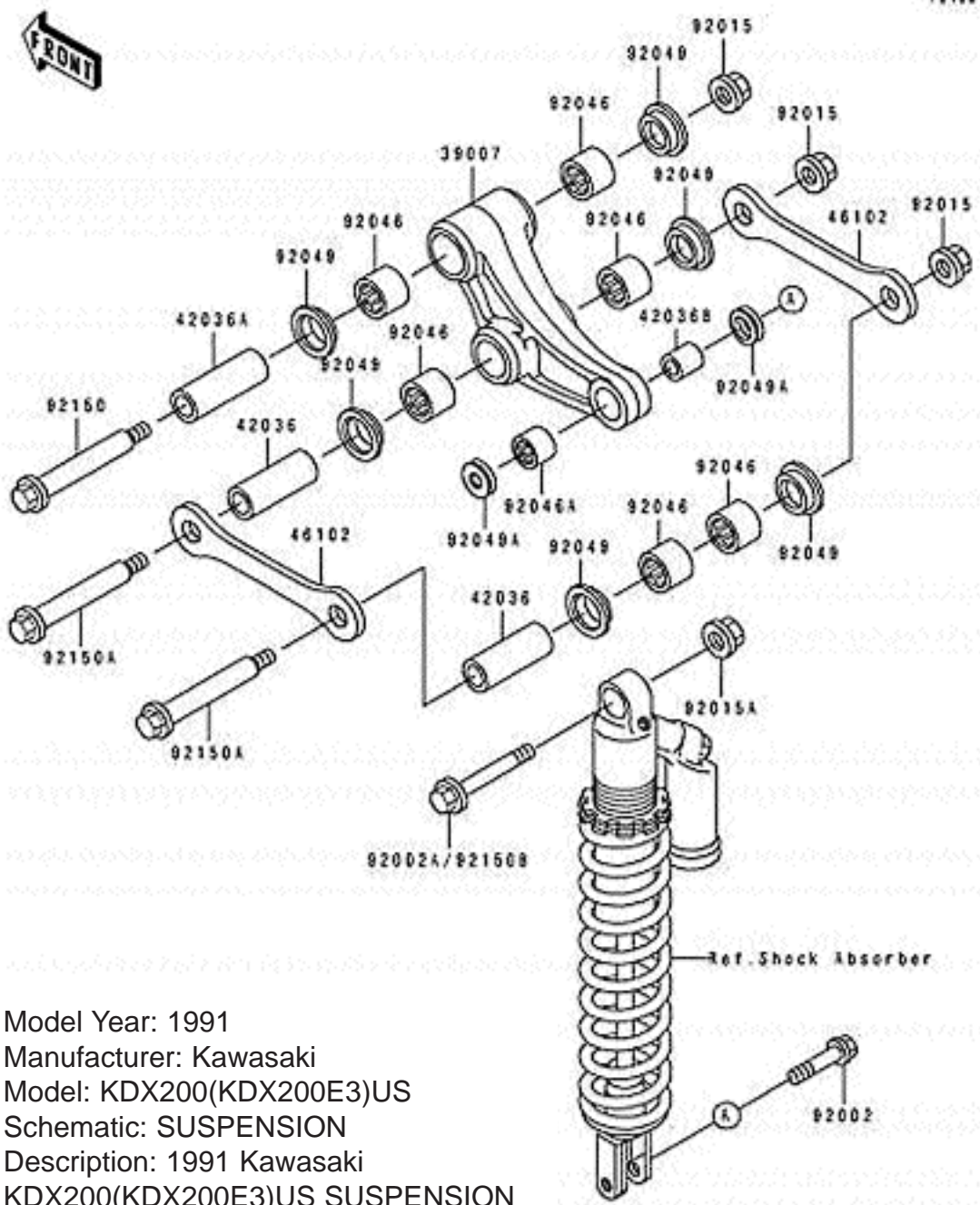


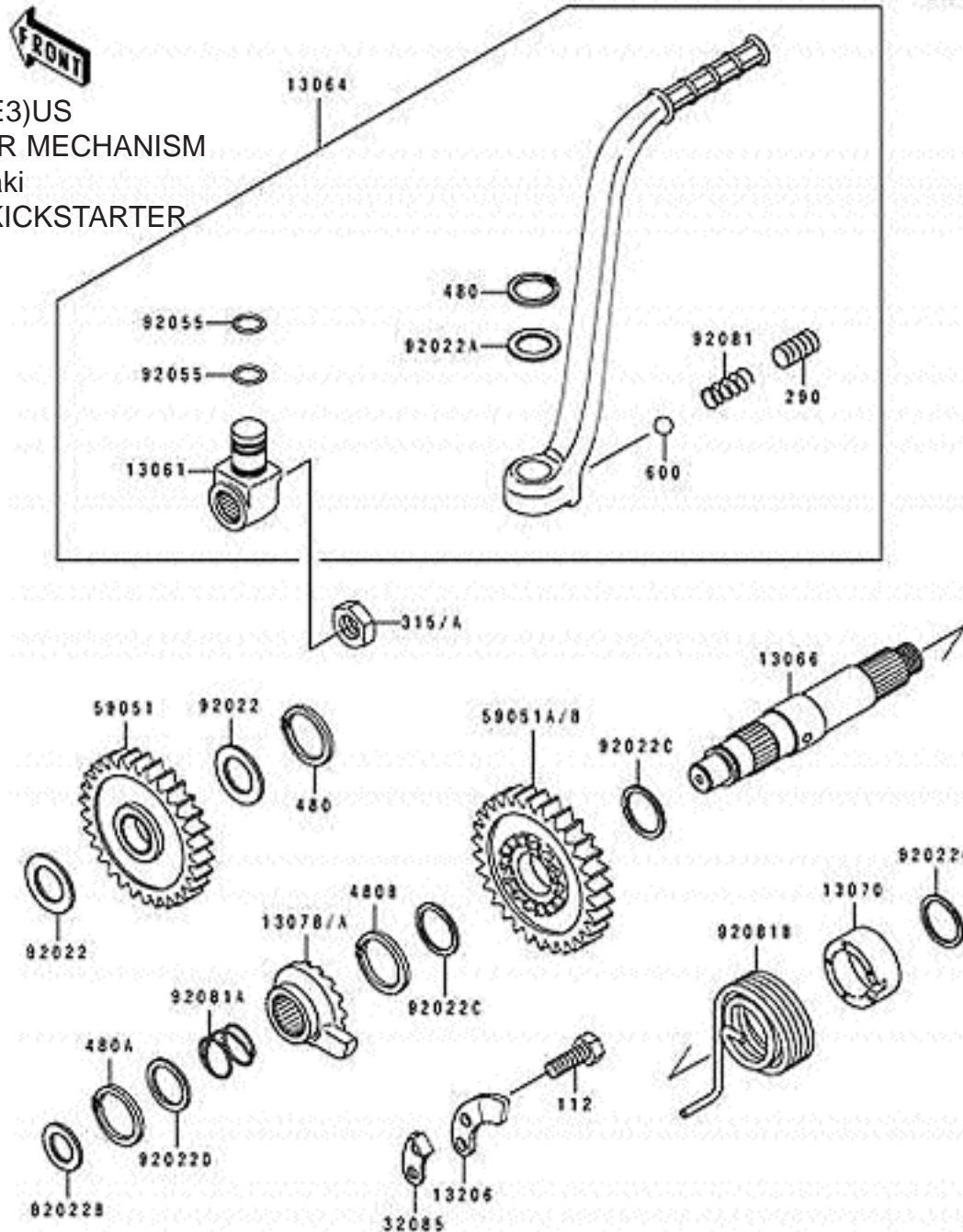
72168



Model Year: 1991
 Manufacturer: Kawasaki
 Model: KDX200(KDX200E3)US
 Schematic: SUSPENSION
 Description: 1991 Kawasaki
 KDX200(KDX200E3)US SUSPENSION

Description	BikeBandit #	QTY	Price
42036A: SLEEVE,15X22X63	589790-001	0	\$11.00
42036B: SLEEVE,10X16X19	2013-001	0	\$5.37
92015A: NUT (JKAZXDH1 KA006123 -)	1715-001	0	\$5.58
92046A: BEARING-NEEDLE,16BM2 92046A	2021-001	0	\$9.41
92049A: SEAL-OIL 92049A	2023-001	0	\$4.99
92150A: BOLT,ROD,12X85 (- JKADXMD1 MA002593)	634926-001	0	\$12.13
92150B: BOLT,FLANGED,10X60	635016-001	0	\$6.85
39007: ARM-SUSP,UNI TRAK	583804-001	0	\$126.90
42036: SLEEVE,15X22X57	589789-001	0	\$10.62
46102: ROD,SUSPENSION	598142-001	0	\$45.62
92002: BOLT	635166-001	0	\$6.83
92015: NUT,12MM	2018-001	0	\$4.76
92046: BEARING-NEEDLE	627349-001	0	\$9.94
92049: SEAL-OIL,MHA22 28 5.	627610-001	0	\$4.99
92150: BOLT,ARM,12MM	634921-001	0	\$13.10

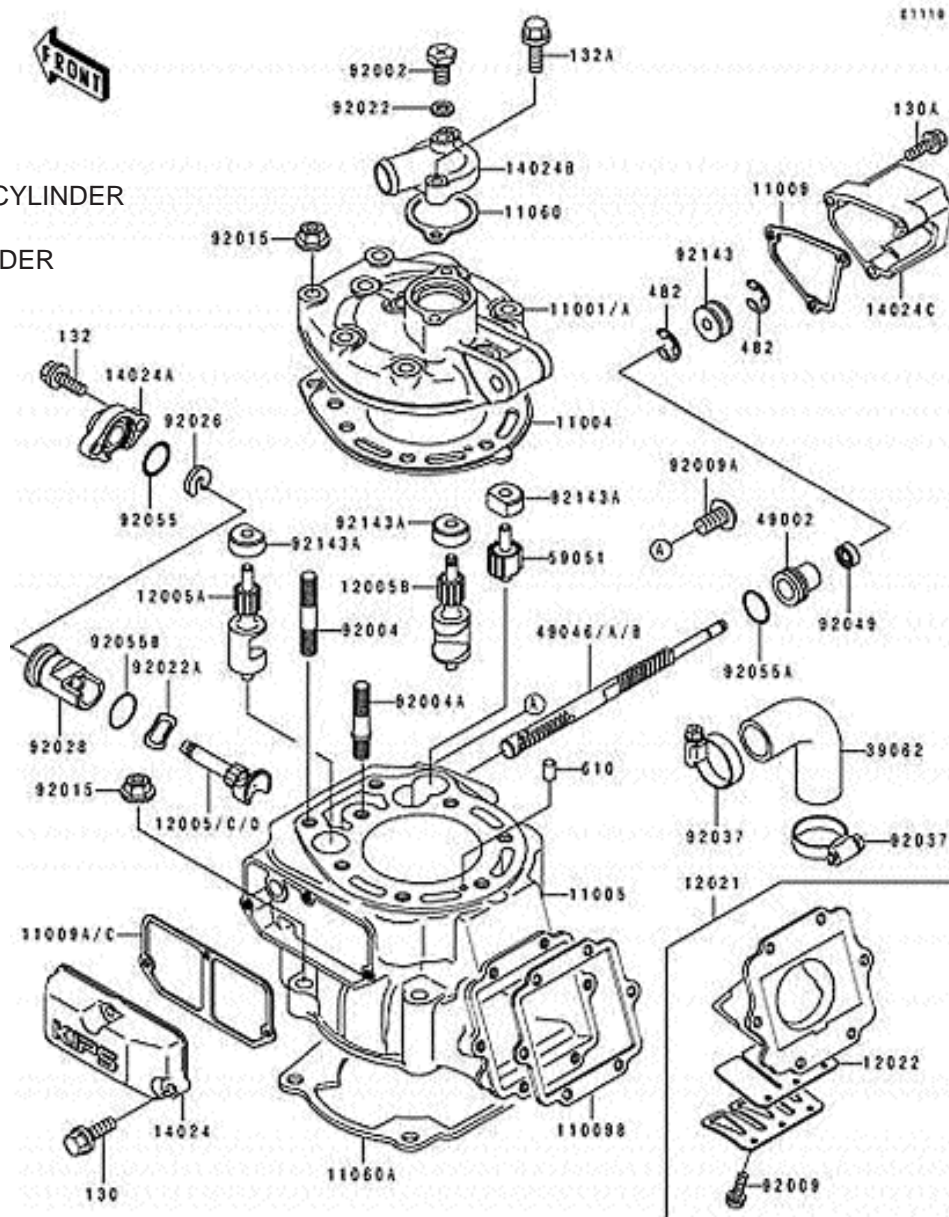
Model Year: 1991
 Manufacturer: Kawasaki
 Model: KDX200(KDX200E3)US
 Schematic: KICKSTARTER MECHANISM
 Description: 1991 Kawasaki
 KDX200(KDX200E3)US KICKSTARTER
 MECHANISM



81348

Description	BikeBandit #	QTY	Price
13078A: RATCHET	5287-001	0	\$40.74
315A: NUT	575347-001	0	\$1.19
480A: CIRCLIP 16MM	1878-001	0	\$2.33
480B: CIRCLIP 18MM	5282-001	0	\$1.19
59051B: GEAR-SPUR,KICKSTARTE	614493-001	0	\$69.73
92022A: WASHER,16.3X24X1	622815-001	0	\$2.33
92022B: WASHER,PLAIN I.D.=12.3I	1657-001	0	\$0.80
92022C: WASHER,PLAIN I.D.= 18.3	5292-001	0	\$2.99
92022D: WASHER,PLAIN I.D.=16.3I,0.5	623418-001	0	\$3.09
92081A: SPRING,RATCHET	1892-001	0	\$4.76
92081B: SPRING,KICKSTARTER	632744-001	0	\$7.82
112: BOLT-UPSET KX250-A6	540371-001	0	\$0.95
290: SCREW,8X8 [CN]	574422-001	0	\$2.33
480: CIRCLIP 15MM E/NO. 025468~	598400-001	0	\$1.54
600: BALL STEEL 1/4" [CN]	1880-001	0	\$0.39
13061: BOSS,KICK PEDAL	544733-001	0	\$39.68
13064: LEVER-ASSY-KICK,PEDA	544808-001	0	\$72.27
13066: SHAFT-KICK	544879-001	0	\$55.81
13070: GUIDE,KICK SPRING	5286-001	0	\$9.48
13206: GUIDE-KICK	1886-001	0	\$5.77
32085: STOPPER,KICKSTARTER	576595-001	0	\$4.57
59051: GEAR-SPUR,KICK,30T	614523-001	0	\$45.31
92022: WASHER,PLAIN O.D. = 25 M/M	622715-001	0	\$2.76
92055: "O" RING	627944-001	0	\$2.33
92081: SPRING KICK PEDAL [CN]	1891-001	0	\$2.33

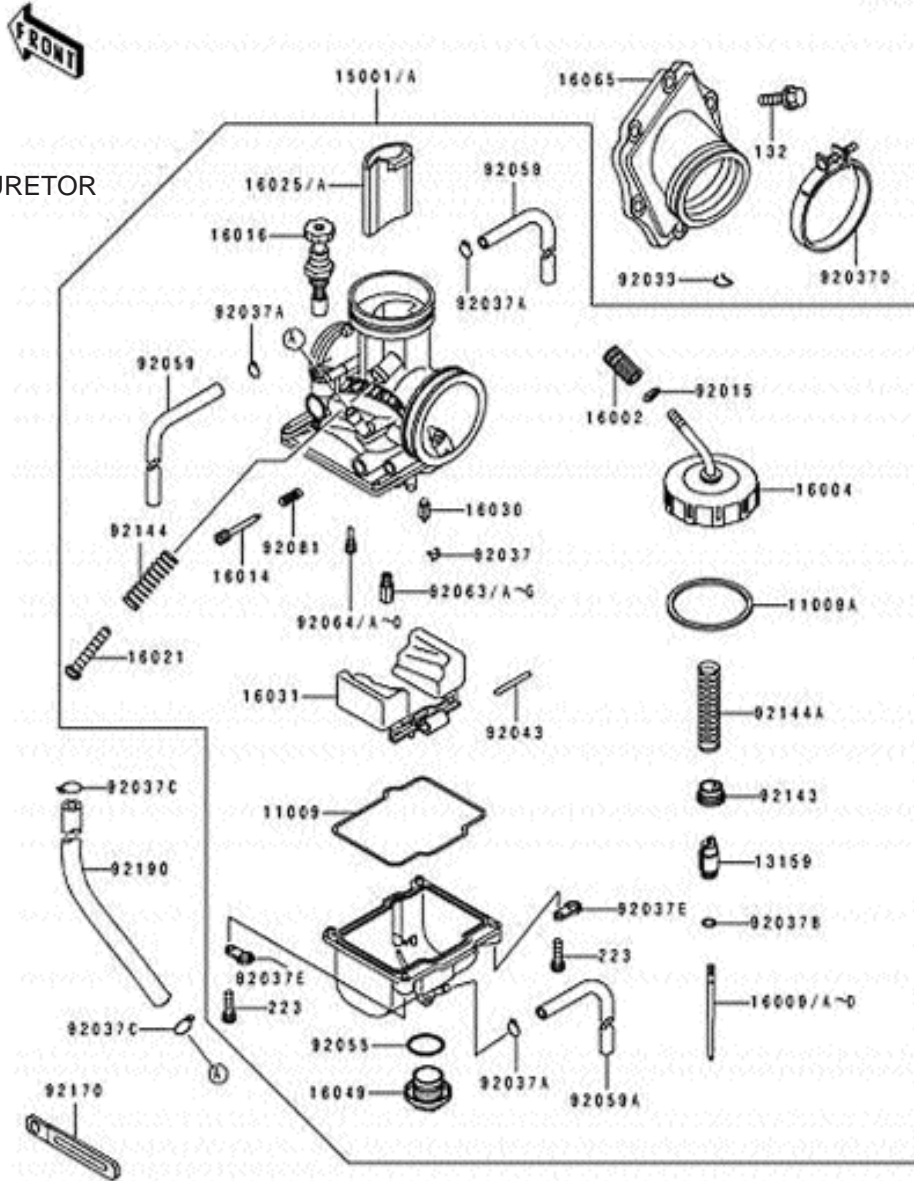
Model Year: 1991
 Manufacturer: Kawasaki
 Model: KDX200(KDX200E3)US
 Schematic: CYLINDER HEAD/CYLINDER
 Description: 1991 Kawasaki
 KDX200(KDX200E3)US CYLINDER
 HEAD/CYLINDER



Description - Price

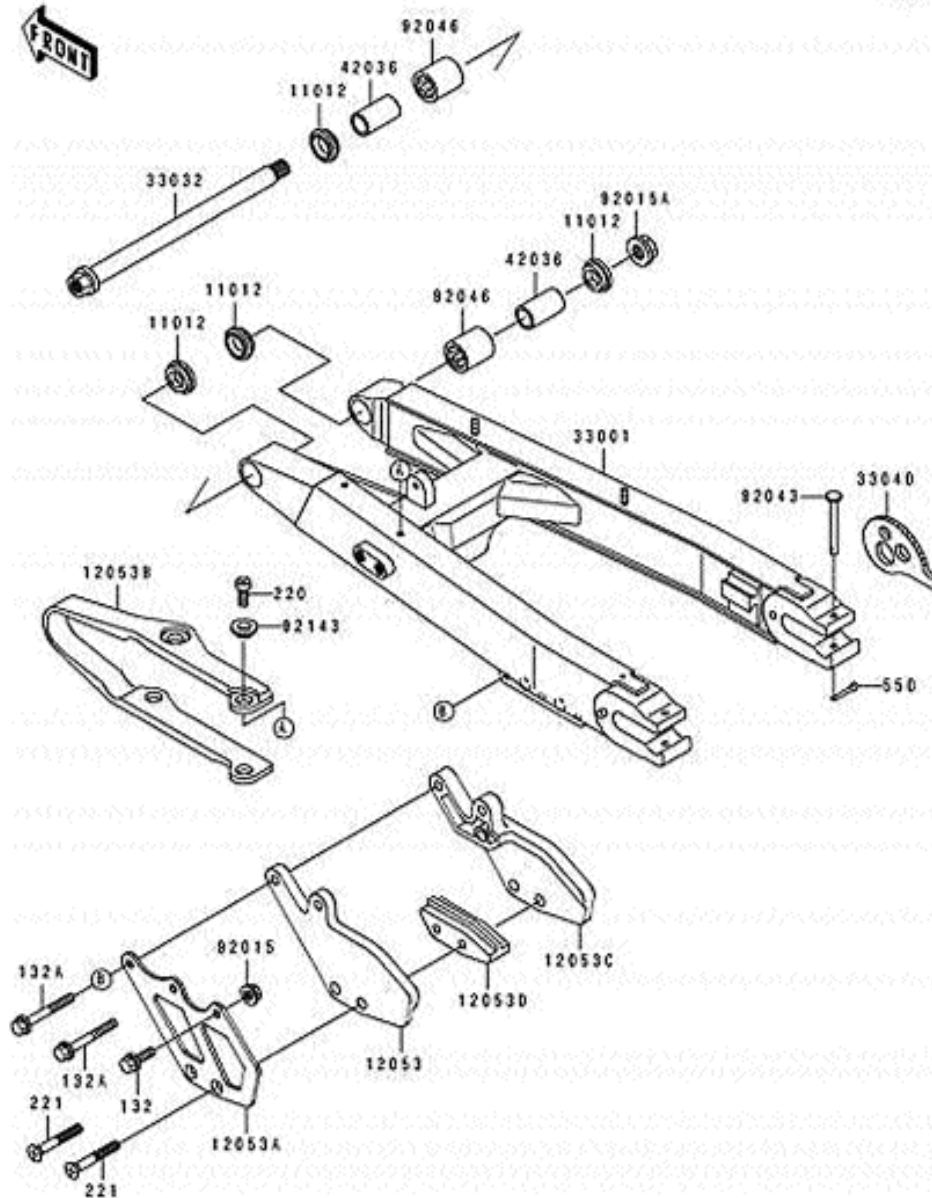
- 11001A: HEAD-CYLINDER 534677-001 \$169.78
- 11009B: GASKET, REED VALVE 1503-001 \$4.76
- 11009C: GASKET, LH, RESONATOR 535839-001 \$2.86
- 11060A: GASKET, CYLINDER BASE 539651-001 \$5.77
- 12005A: VALVE-EXHAUST, LH 540908-001 \$35.23
- 12005B: VALVE-EXHAUST, RH 540909-001 \$35.23
- 12005C: VALVE-EXHAUST, CENTER
(DX200EE011341 -) 540923-001 \$35.23
- 130A: BOLT-FLANGED 1542-001 \$2.33
- 132A: BOLT
620469-001 \$2.54
- 14024A: COVER, MAIN VALVE 552898-001 \$8.08
- 14024B: COVER 555961-001 \$12.87
- 14024C: COVER, GOVERNOR 552924-001 \$7.61
- 49046A: ROD-GOVERNOR
(DX200EE011341 -) 599097-001 \$48.93
- 92004A: STUD, 8X34 621016-001 \$7.50
- 92009A: SCREW 5173-001 \$2.09
- 92055A: RING-O, 14.5X1.5 628213-001 \$2.09
- 92055B: RING-O 628228-001 \$3.09
- 92143A: COLLAR, VALVE 633762-001 \$6.41
- 130: BOLT-FLANGED
1.0 KG-M 5221-001 \$2.09
- 132: BOLT-FLANGED-SMALL
[CA,US] 551478-001 \$1.35
- 482: CIRCLIP SELD BEM FIT
NOT REQUIRED FOR 16001-1009 598449-001 \$0.82
- 610: PIN DOWEL 4X8
2034-001 \$2.33
- 11004: GASKET-HEAD 534906-001 \$19.80
- 11005: CYLINDER-ENGINE 535249-001 \$462.73
- 11009: GASKET, RH, GOVERNOR 535817-001 \$2.99
- 11060: GASKET, ELBOW 535857-001 \$2.76
- 12021: VALVE-ASSY-REED 541199-001 \$78.52
- 12022: VALVE-REED
541257-001 \$12.55
- 14024: COVER, RESONATOR 552811-001 \$17.32
- 39062: HOSE-COOLING, PUMP-CY 584381-001 \$7.70
- 49002: GUIDE-VALVE 598503-001 \$9.48
- 59051: GEAR-SPUR, IDLE 614486-001 \$18.87
- 92002: BOLT, 6X10 620233-001 \$4.33
- 92004: STUD, 8X35
KD125A2/A3 620930-001 \$2.99
- 92009: SCREW, REED VALVE
5172-001 \$1.19
- 92015: NUT-8MM
KZ1000-P1/P2/P3 1557-001 \$0.33
- 92022: WASHER, PLAIN
ALUMINUM 1686-001 \$2.01
- 92026: SPACER 624268-001 \$2.86
- 92028: BUSHING, CENTER VALVE 625469-001 \$22.49
- 92037: CLAMP, COOLING HOSE
1940-001 \$9.33
- 92049: SEAL-OIL, RSO-5.5 11 5183-001 \$4.99
- 92055: RING-O, ID=16.8
628113-001 \$2.54
- 92143: COLLAR 5188-001 \$5.37

Model Year: 1991
 Manufacturer: Kawasaki
 Model: KDX200(KDX200E3)US
 Schematic: CARBURETOR
 Description: 1991 Kawasaki
 KDX200(KDX200E3)US CARBURETOR



Description - Price

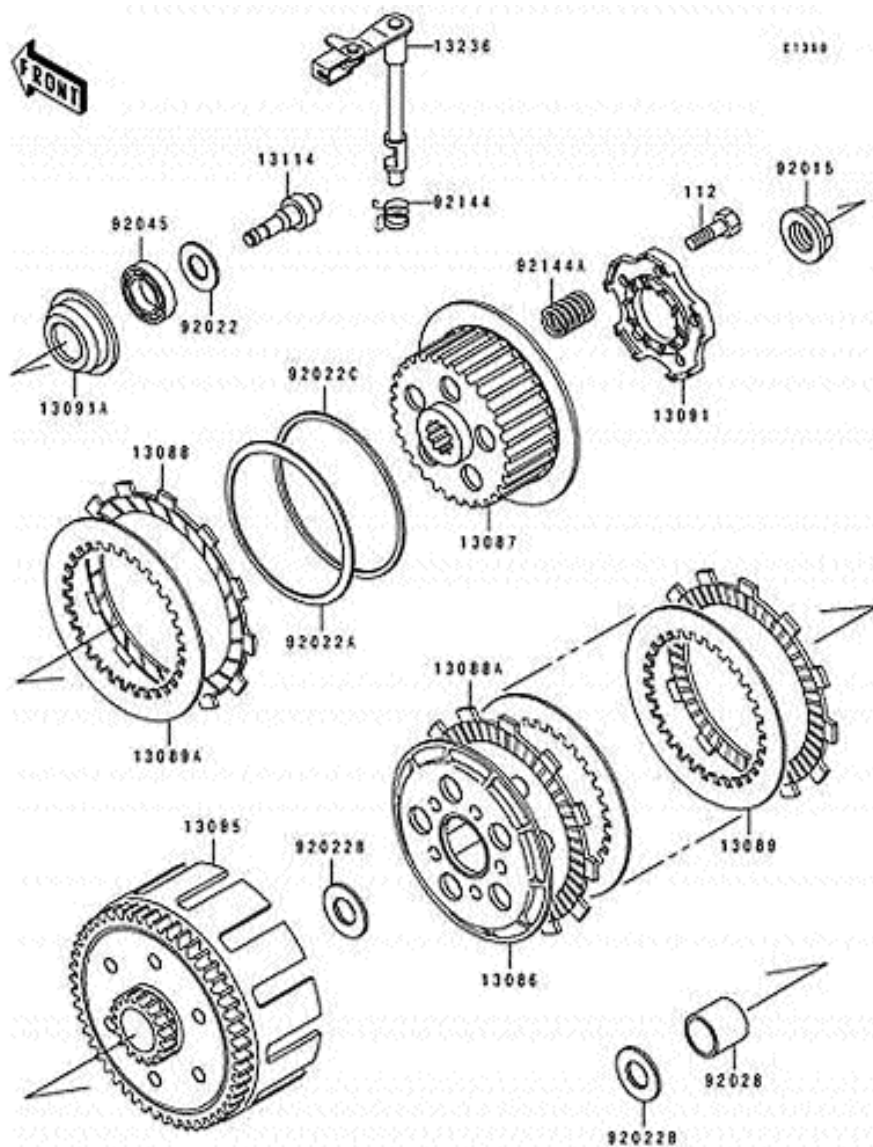
- 11009A: GASKET,CHAMBER CAP 535743-001 \$6.20
- 15001A: CARBURETOR-ASSY 556885-001 \$284.89
- 16009A: NEEDLE-JET,R1171N(OPTION) 558809-001 \$18.63
- 16009B: NEEDLE-JET,R1172N 558845-001 \$18.63
- 16009C: NEEDLE-JET,R1173N(OPTION) 558846-001 \$18.63
- 16009D: NEEDLE-JET,R1174N(OPTION) 558847-001 \$18.63
- 16025A: VALVE-THROTTLE 559849-001 \$89.98
- 92037A: CLAMP,TUBE[CA] 1473-001 \$2.99
- 92037B: CLAMP,JET NEEDLE[CN,US] 1639-001 \$2.33
- 92037C: CLAMP,CHAIN OILER[CN,US] 1640-001 \$3.51
- 92037D: CLAMP 626435-001 \$4.57
- 92037E: CLAMP,HOSE 626522-001 \$4.33
- 92059A: TUBE,3.5X6.5X390 629202-001 \$4.99
- 92063A: JET-MAIN,#148(OPTION) 629716-001 \$7.08
- 92063B: JET-MAIN,#150(OPTION) 629717-001 \$7.08
- 92063C: JET-MAIN(OPTION) 5409-001 \$7.08
- 92063D: JET-MAIN,#155(OPTION) 1475-001 \$7.08
- 92064A: JET-PILOT,#42(OPTION) 1647-001 \$8.59
- 92064B: JET-PILOT(OPTION) 1648-001 \$8.59
- 92064C: JET-PILOT,#48(OPTION) 1649-001 \$8.59
- 92064D: JET-PILOT(OPTION) 1650-001 \$8.59
- 92144A: SPRING,THROTTLE 634308-001 \$8.78
- 132: BOLT-FLANGED-SMALL[CA,US] 551478-001 \$1.35
- 223: SCREW-PAN-WS-CROS[CA] 5520-001 \$2.33
- 11009: GASKET,FLOAT CHAMBER 535742-001 \$6.85
- 13159: CONNECTOR,THROTTLE C 1454-001 \$9.67
- 16002: ADJUSTER-CABLE 558341-001 \$9.48
- 16004: CAP-CHAMBER 558394-001 \$32.26
- 16009: NEEDLE-JET,R1170N(OPTION) 558808-001 \$18.63
- 16014: SCREW-PILOT AIR 1457-001 \$10.45
- 16016: PLUNGER 559256-001 \$22.20
- 16021: SCREW-THROTTLE STOP 559640-001 \$9.79
- 16030: VALVE-FLOAT 1461-001 \$25.42
- 16031: FLOAT 560015-001 \$27.16
- 16049: COVER-MAIN JET 1464-001 \$17.91
- 16065: HOLDER-CARBURETOR 560582-001 \$37.68
- 92015: NUT,CABLE ADJUST LOC 622390-001 \$2.76
- 92033: CIRCLIP 1472-001 \$2.09
- 92037: CLIP,FLOAT VALVE[CA] 1463-001 \$3.79
- 92043: PIN,FLOAT 626857-001 \$3.91
- 92055: RING-O,MAIN JET COVE92055A 1641-001 \$5.16
- 92059: TUBE,4X7X420 629200-001 \$6.32
- 92063: JET-MAIN,#145(OPTION) 629715-001 \$7.08
- 92064: JET-PILOT,#52(OPTION) 4572-001 \$8.59
- 92081: SPRING,ADJUST SCREW 1477-001 \$2.99
- 92143: COLLAR,THROTTLE VALV 1478-001 \$11.00
- 92144: SPRING,THROTTLE STOP 634293-001 \$3.09
- 92170: CLAMP,CARBURETOR HOS 5226-001 \$2.33
- 92190: TUBE,2.5X5.8X270 629294-001 \$4.95



Model Year: 1991
 Manufacturer: Kawasaki
 Model: KDX200(KDX200E3)US
 Schematic: SWING ARM
 Description: 1991 Kawasaki
 KDX200(KDX200E3)US SWING ARM

Description - Price

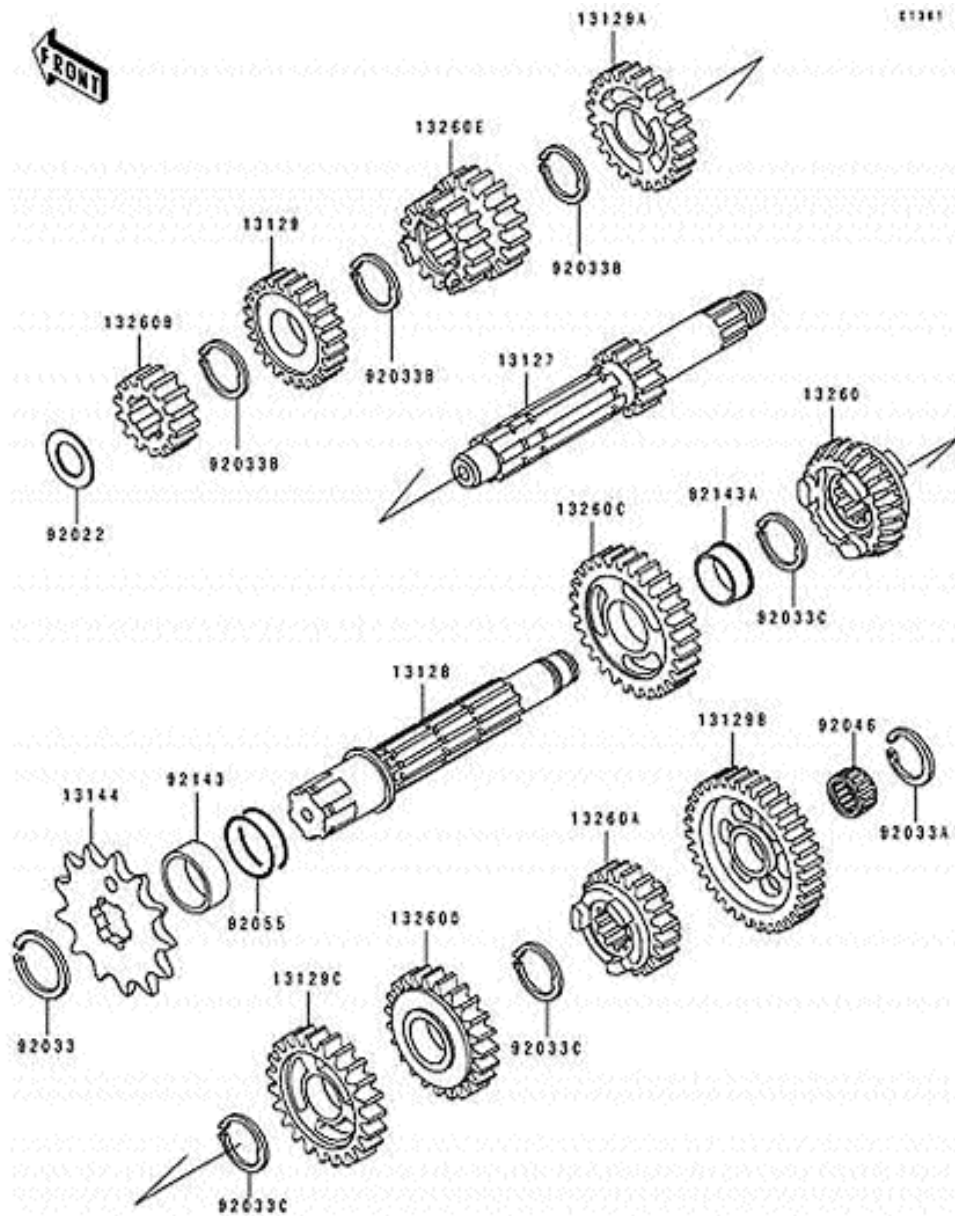
12053A: GUIDE-CHAIN,RR,OUTSI	541814-001	\$17.32
12053B: GUIDE-CHAIN,FR	541818-001	\$29.72
12053C: GUIDE-CHAIN,RR,OUTSI	541823-001	\$22.85
12053D: GUIDE-CHAIN,DRIVE,RR	541825-001	\$24.63
132A: BOLT-FLANGED-SMALL	5102-001	\$2.54
92015A: NUT,14MM-F/NO.	002973 622222-001	\$5.37
132: BOLT-FLANGED-SMALL US	1543-001	\$2.09
220: SCREW PAN HEAD 6X8	567149-001	\$0.39
221: SCREW-CSK-CROS,6X45	567367-001	\$2.33
550: PIN COTTER 2.0X15 KX250-A3	1990-001	\$0.39
11012: CAP,SWING ARM	536561-001	\$11.00
12053: GUIDE-CHAIN,RR,INSID	541813-001	\$14.33
33001: ARM-COMP-SWING,SILVE	577960-001	\$497.63
33032: SHAFT-SWING ARM	578161-001	\$25.94
33040: ADJUSTER-CHAIN	578305-001	\$16.54
42036: SLEEVE,SWING ARM	589674-001	\$10.62
92015: NUT-6MM KE100-A10	1596-001	\$2.70
92043: PIN,6X55	626942-001	\$5.77
92046: BEARING-NEEDLE,TA203	627325-001	\$11.89
92143: COLLAR	633766-001	\$3.09



Model Year: 1991
 Manufacturer: Kawasaki
 Model: KDX200(KDX200E3)US
 Schematic: CLUTCH
 Description: 1991 Kawasaki
 KDX200(KDX200E3)US CLUTCH

Description - Price

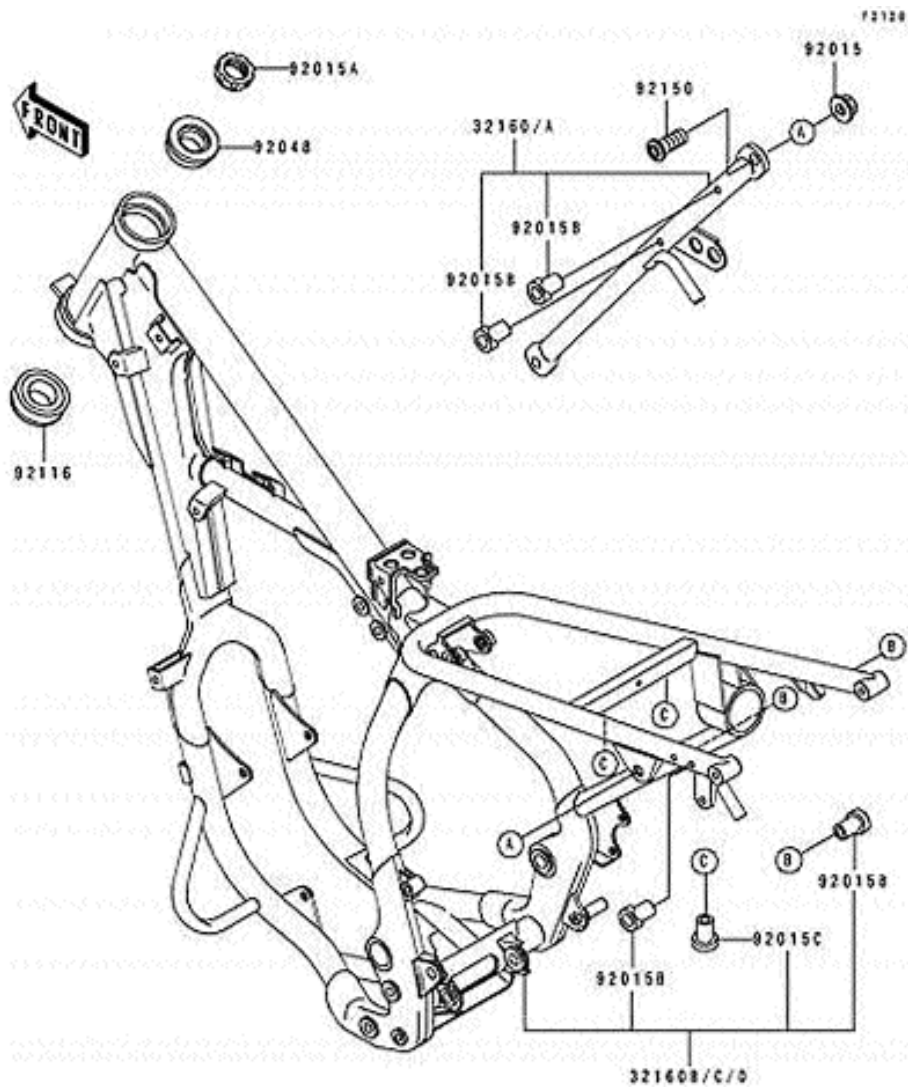
- 13088A: PLATE-FRICTION,ID=95 545468-001 \$10.64
- 13089A: PLATE-CLUTCH 545531-001 \$9.86
- 13091A: HOLDER,CLUTCH PUSHER 545866-001 \$10.85
- 92022A: WASHER,JUDDER SPRING 623271-001 \$7.61
- 92022B: WASHER,20.3X30X2.3 638165-001 \$2.76
- 92022C: WASHER,JUDDER SPRING 623280-001 \$7.61
- 92144A: SPRING,CLUTCH 634367-001 \$4.90
- 112: BOLT-UPSET 540373-001 \$2.09
- 13086: WHEEL-CLUTCH 545333-001 \$24.40
- 13087: HUB-CLUTCH 545399-001 \$53.39
- 13088: PLATE-FRICTION 545456-001 \$10.41
- 13089: PLATE-CLUTCH 545521-001 \$9.86
- 13091: HOLDER,CLUTCH SPRING 545802-001 \$13.46
- 13095: HOUSING-COMP-CLUTCH 546120-001 \$245.00
- 13114: PUSHER-CLUTCH 546978-001 \$10.96
- 13236: LEVER-COMP 550265-001 \$31.20
- 92015: NUT 622309-001 \$9.86
- 92022: WASHER,10X14.5X1.0 622803-001 \$2.09
- 92028: BUSHING,20X25X26.85 625362-001 \$14.33
- 92045: BEARING-BALL,6000M3M 627155-001 \$7.36
- 92144: SPRING 634309-001 \$3.09



Model Year: 1991
 Manufacturer: Kawasaki
 Model: KDX200(KDX200E3)US
 Schematic: TRANSMISSION
 Description: 1991 Kawasaki
 KDX200(KDX200E3)US TRANSMISSION

Description - Price

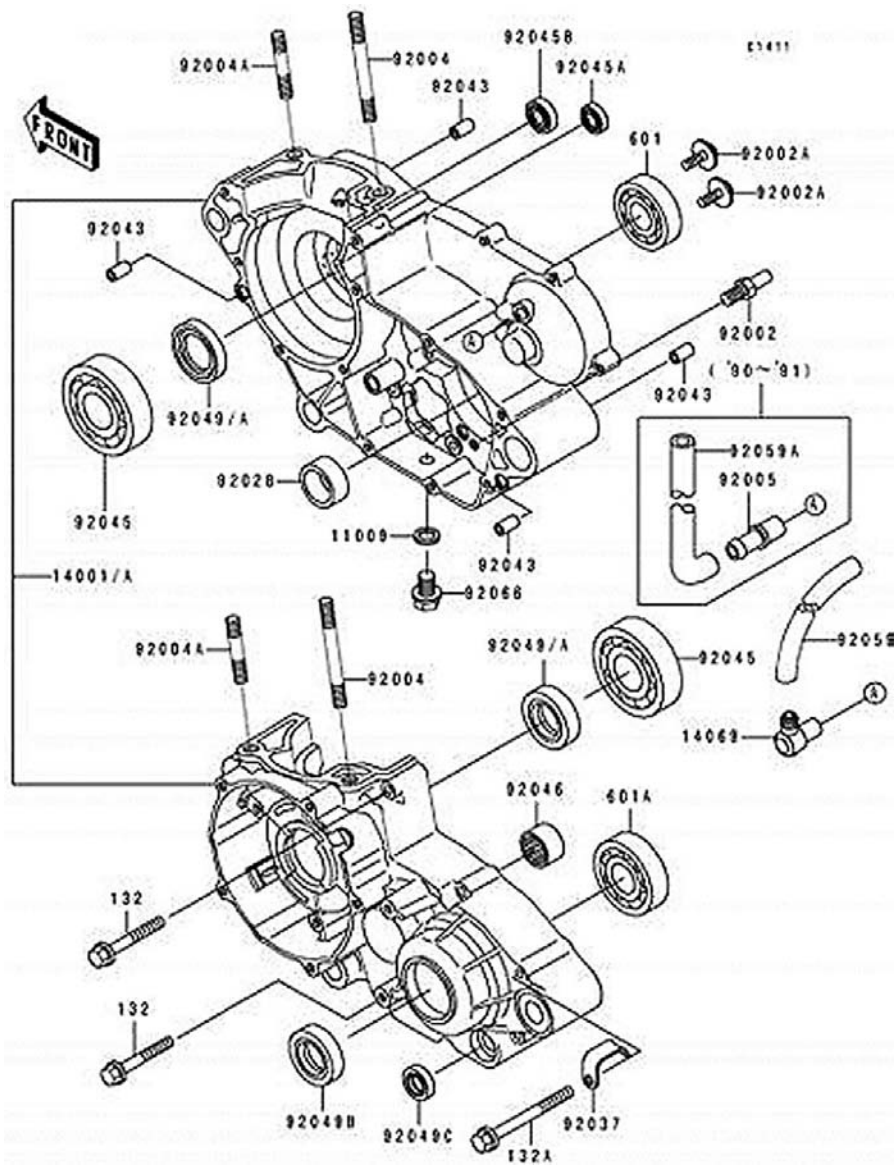
13129A: GEAR,INPUT 6TH,23T	547924-001	\$59.11
13129B: GEAR,OUTPUT LOW,35T	547925-001	\$56.35
13129C: GEAR,OUTPUT 3RD,23T	547927-001	\$58.05
13260A: GEAR,OUTPUT TOP,20T	550657-001	\$58.05
13260B: GEAR,INPUT 2ND,14T	550658-001	\$38.83
13260C: GEAR,OUTPUT 2ND,28T	550659-001	\$56.35
13260D: GEAR,OUTPUT 4TH,21T	550660-001	\$58.05
13260E: GEAR,INPUT 3RD&4TH,1	550661-001	\$63.14
92033A: CIRCLIP,16MM (- LX250DE014833)	625716-001	\$2.76
92033B: RING-SNAP 92033A	2105-001	\$2.76
92033C: RING-SNAP,20MM	625838-001	\$2.99
92143A: COLLAR	633895-001	\$12.13
13127: SHAFT-TRANSMISSION I	547286-001	\$107.27
13128: SHAFT-TRANSMISSION O	547417-001	\$100.70
13129: GEAR,INPUT 5TH,24T	547923-001	\$56.35
13144: ENGINE SPROCKET,13TOFF-ROAD USE ONLY	548617-001	\$25.04
13260: GEAR,OUTPUT 5TH,25T	548064-001	\$58.05
92022: WASHER-THRUST T=1.0 M/M	623095-001	\$4.76
92033: CIRCLIP [CN]	5357-001	\$4.76
92046: BEARING-NEEDLE KT172314	627359-001	\$10.90
92055: "O" RING	2106-001	\$2.76
92143: COLLAR	633879-001	\$6.83



Model Year: 1991
 Manufacturer: Kawasaki
 Model: KDX200(KDX200E3)US
 Schematic: FRAME
 Description: 1991 Kawasaki
 KDX200(KDX200E3)US FRAME

Description - Price

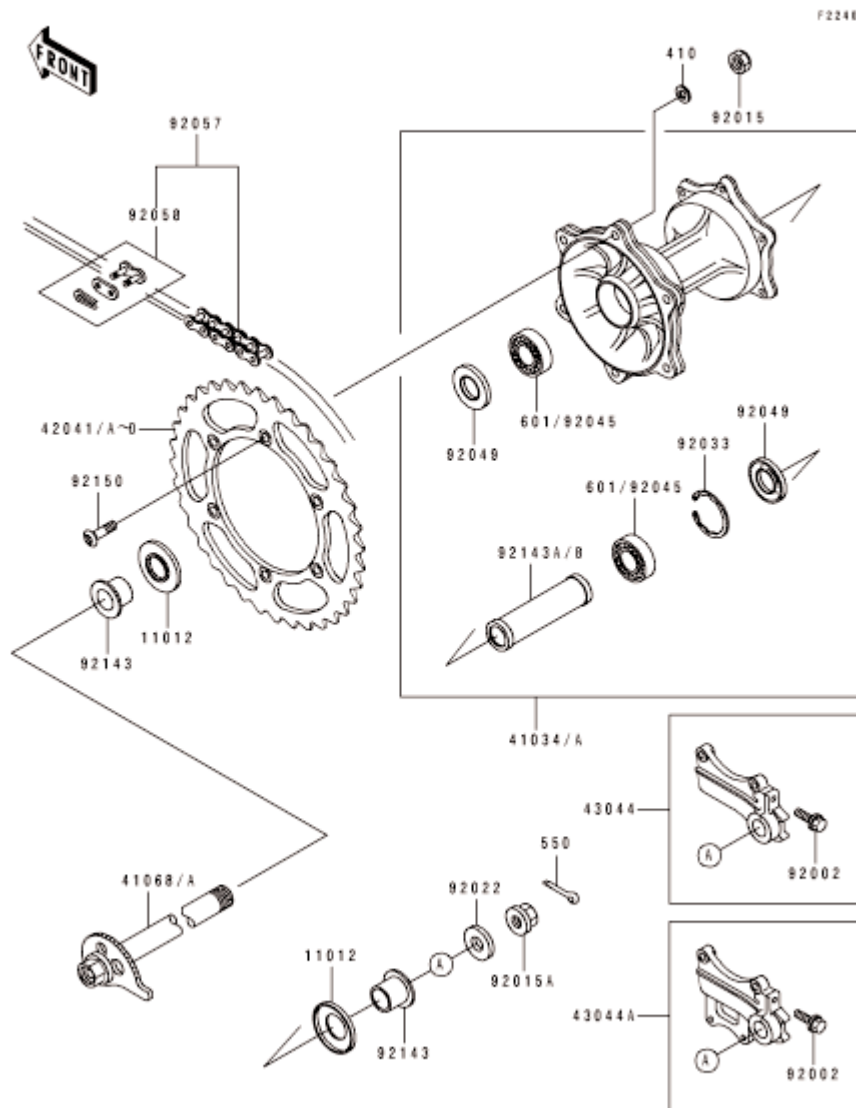
- 32160A: FRAME-COMP,RR,BLUE N [US] 577485-001 \$121.07
- 32160C: FRAME-COMP,FR,L.GREE 577507-001 \$889.17
- 32160D: FRAME-COMP,FR,BLUE N [US] 577508-001 \$925.24
- 92015A: NUT,STEERING STEM,25 622353-001 \$10.85
- 92015B: NUT,POP,6MM 622384-001 \$2.76
- 92015C: NUT,POP,6MM,L=16.5 1607-001 \$2.54
- 32160: FRAME-COMP,RR,L.GREE 577484-001 \$121.28
- 92015: NUT,10MMX80-A1 622228-001 \$2.54
- 92048: BEARING,STEERING STE UPPER 627429-001 \$25.14
- 92116: BEARING,ROLLER,32006 LOWER 633538-001 \$34.07
- 92150: BOLT,SOCKET,10X23 634930-001 \$2.99



Model Year: 1991
 Manufacturer: Kawasaki
 Model: KDX200(KDX200E3)US
 Schematic: CRANKCASE
 Description: 1991 Kawasaki
 KDX200(KDX200E3)US CRANKCASE

Description - Price

132A: BOLT-FLANGED-SMALL 551427-001	\$2.33
14001A: SET-CRANKCASE 552017-001	\$431.63
601A: BEARING BALL #6205 E/NO. 118271~123772 615809-001	\$12.06
92002A: BOLT 1509-001	\$2.76
92004A: STUD,8X28.5 620985-001	\$3.09
92045A: BEARING-BALL 627184-001	\$6.10
92045B: BEARING-BALL 92045A 1688-001	\$6.41
92049B: OIL SEAL TB3040 5124-001	\$9.67
92049C: OIL SEAL,TB13225.5 FOR 14001-071 1518-001	\$4.33
92059A: TUBE,5X9X350 CN,US 628864-001	\$5.56
132: BOLT-FLANGED-SMALL (- JKALXEC1 PA004358) 1658-001	\$2.54
601: BEARING BALL #6204 KE100-A7/A8/A9 615804-001	\$8.25
11009: GASKET CHECK VALVE E/NO.010784~ 1521-001	\$2.01
92002: BOLT,RETURN SPRING 635064-001	\$3.96
92004: STUD 620979-001	\$4.33
92005: FITTING 5110-001	\$6.83
92028: BUSHING O.D=30M/M 625334-001	\$20.65
92037: CLAMP,HARNESS 626168-001	\$3.51
92043: PIN-DOWEL S1-C,KH250-A5 1514-001	\$3.09
92045: BEARING-BALL,6305JR2 627100-001	\$16.79
92046: BEARING-NEEDLE 7EHKS16241Z-1 627254-001	\$10.90
92049: OIL SEAL 627501-001	\$8.20
92066: PLUG 630187-001	\$3.27

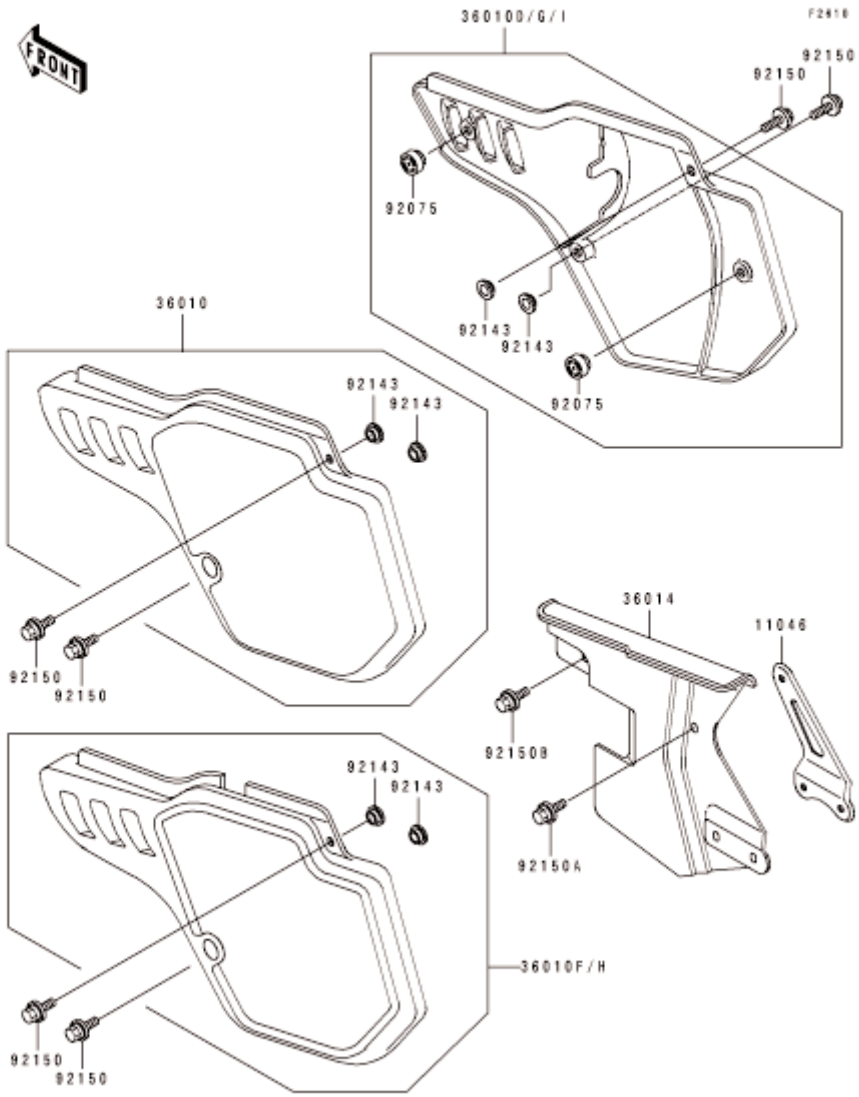


1990 Kawasaki KDX200(KDX200E2)US REAR HUB

Description	BikeBandit #	QTY	Price
410: WASHER PLAIN 8MM NOT REQUIRED FOR P/N 44041-038 1962-001			\$0.13
550: PIN COTTER 3.0X25 KM100-A6- 1963-001			\$0.13
11012: CAP 1964-001			\$3.27
41034A: DRUM-ASSY,REAR BRAKE 587426-001			\$323.41
41068A: AXLE,RR 588311-001			\$55.08
42041: SPROCKET-HUB,47T (OPTION) 590142-001			\$49.78
42041A: SPROCKET-HUB,45T (OPTION) 590117-001			\$47.01
42041B: SPROCKET-HUB,46T (OPTION) 590118-001			\$47.01
42041C: SPROCKET-HUB,48T (OPTION) 1968-001			\$49.78
42041D: SPROCKET-HUB,49T (OPTION) 1969-001			\$49.78
43044: HOLDER-COMP-CALIPER 591764-001			\$85.63
92002: BOLT 92150C 1614-001			\$2.76
92015: NUT,LOCK,8MM KX250-A7 622089-001			\$2.94
92015A: NUT,LOCK,20MM 622388-001			\$13.95
92022: WASHER,20.1X34X2.0 623281-001			\$2.76
92033: CIRCLIP,42MM 1978-001			\$3.09
92045: BEARING-BALL,6004X8J 1979-001			\$14.92
92049: SEAL-OIL,BJNC2 25425 627577-001			\$8.95
92057: DR CHAIN,D1D520K 110 628510-001			\$120.01
92058: JOINT-CHAIN 628663-001			\$6.74
92143: COLLAR,RR AXLE,L=22 633804-001			\$18.78
92143B: COLLAR,RR BRAKE DRUM 633867-001			\$7.61
92150: BOLT 1985-001			\$4.57

From BuyKawasaki (1991 parts -- diagram also 1991):

Ref #	Part #	Description	Qty	Spec Code
11012	11012-1581	CAP,REAR AXLE	2	
41034A	41034-1205	DRUM-ASSY,REAR BRAKE	1	
41068A	41068-1297	AXLE,RR	1	
42041	42041-1274	SPROCKET-HUB,47T	1	
42041A	42041-1326	SPROCKET-HUB,45T	1 (OPTION)	
42041B	42041-1327	SPROCKET-HUB,46T	1 (OPTION)	
42041C	42041-1328	SPROCKET-HUB,48T	1 (OPTION)	
42041D	42041-1329	SPROCKET-HUB,49T	1 (OPTION)	
43044A	43044-1099	HOLDER-COMP-CALIPER	1	
92002	92002-1952	BOLT,6X18	1	
92015	92015-1124	NUT,LOCK,8MM	6	
92015A	92015-1770	NUT,LOCK,20MM	1	
92022	92022-1994	WASHER,20.1X34X2.0	1	
92033	92033-1041	RING-SNAP,42MM	1	
92045	92045-1239	BEARING-BALL,6004X8JRLX2/3A	2	
92049	92049-1203	SEAL-OIL,BJNC2 25425	2	
92057	92057-1215	CHAIN,DRIVE,DID520KX110L	1	
92058	92058-1051	JOINT-CHAIN	1	
92143	92143-1259	COLLAR,RR AXLE,L=22	2	
92143B	92143-1402	COLLAR,RR BRAKE DRUM,L=105	1	
92150	92150-1196	BOLT,SOCKET,8X28	6	
410	410B0800	WASHER-PLAIN-SMALL,8MM	6	
550	550D3025	PIN-COTTER,3.0X25	1	



1991 Kawasaki KDX200(KDX200E3)US SIDE COVER/CHAIN CASE

Description BikeBandit # QTY Price

- 11046: BRACKET,CHAIN CASE 538436-001 \$14.80
- 36010: COVER-SIDE,LH,L.GREE 583128-001 \$59.63
- 36010D: COVER-SIDE,RH,L.GREE 583168-001 \$59.63
- 36010H: COVER-SIDE,LH,P.WHIT [US] 583245-001 \$63.02
- 36010I: COVER-SIDE,RH,P.WHIT [US] 583246-001 \$63.02
- 36014: CASE-CHAIN 583343-001 \$32.90
- 92075: DAMPER,SIDE COVER 631594-001 \$4.57
- 92143: COLLAR 1599-001 \$2.54
- 92150: BOLT 635258-001 \$2.09
- 92150A: BOLT [CN] 1713-001 \$2.33
- 92150B: BOLT 92150C 1614-001 \$2.76

From BuyKawasaki:

Ref #	Part #	Description	Qty	Spec Code
11046	11046-1411	BRACKET,CHAIN CASE	1	
36010	36010-5023-6W	COVER-SIDE,LH,L.GREEN	1	
36010D	36010-5187-6W	COVER-SIDE,RH,L.GREEN	1	
36010H	36010-5468-6F	COVER-SIDE,LH,P.WHITE	1 [US]	
36010I	36010-5469-6F	COVER-SIDE,RH,P.WHITE	1 [US]	
36014	36014-1154	CASE-CHAIN	1	
92075	92075-1598	DAMPER	2	
92143	92143-1196	COLLAR	4	
92150	92150-1339	BOLT,6X20	4	
92150A	92150-1435	BOLT,6X12	1	
92150B	92150-1506	BOLT,FLANGED,6X16	1	

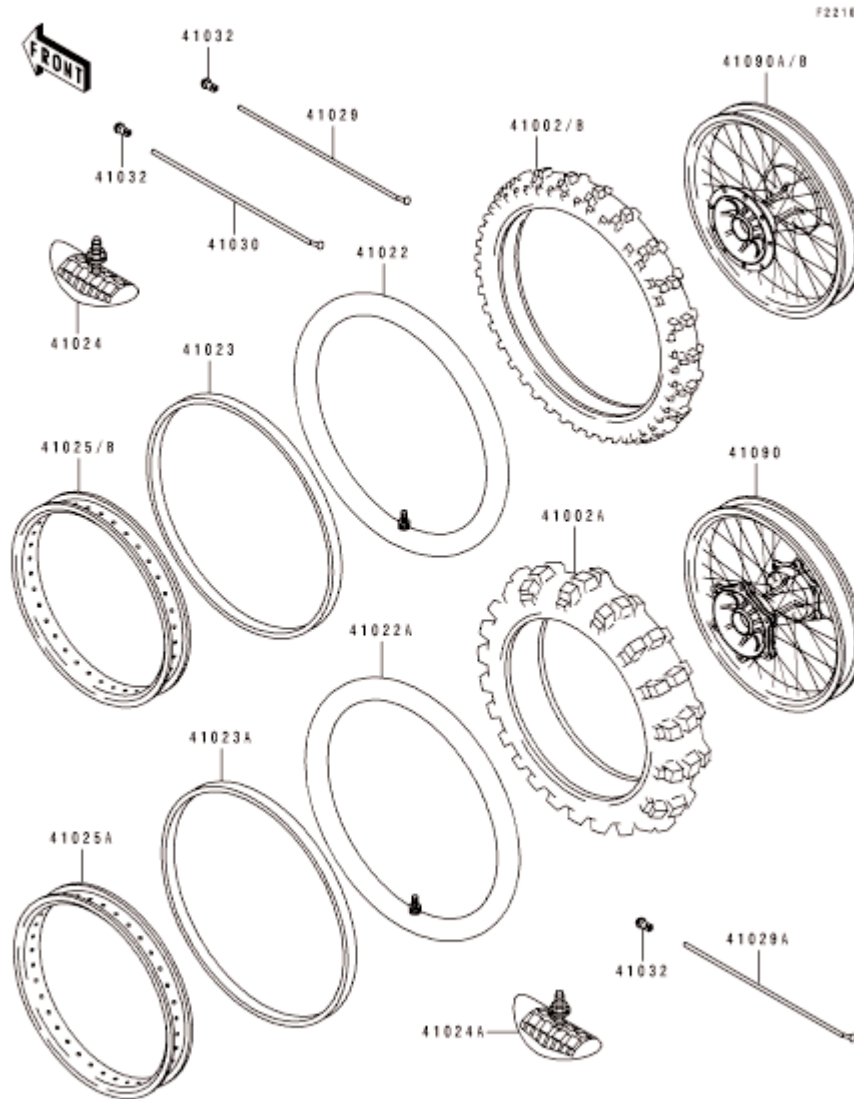
1991 Kawasaki KDX200(KDX200E3)US TIRE

Description BikeBandit # QTY Price

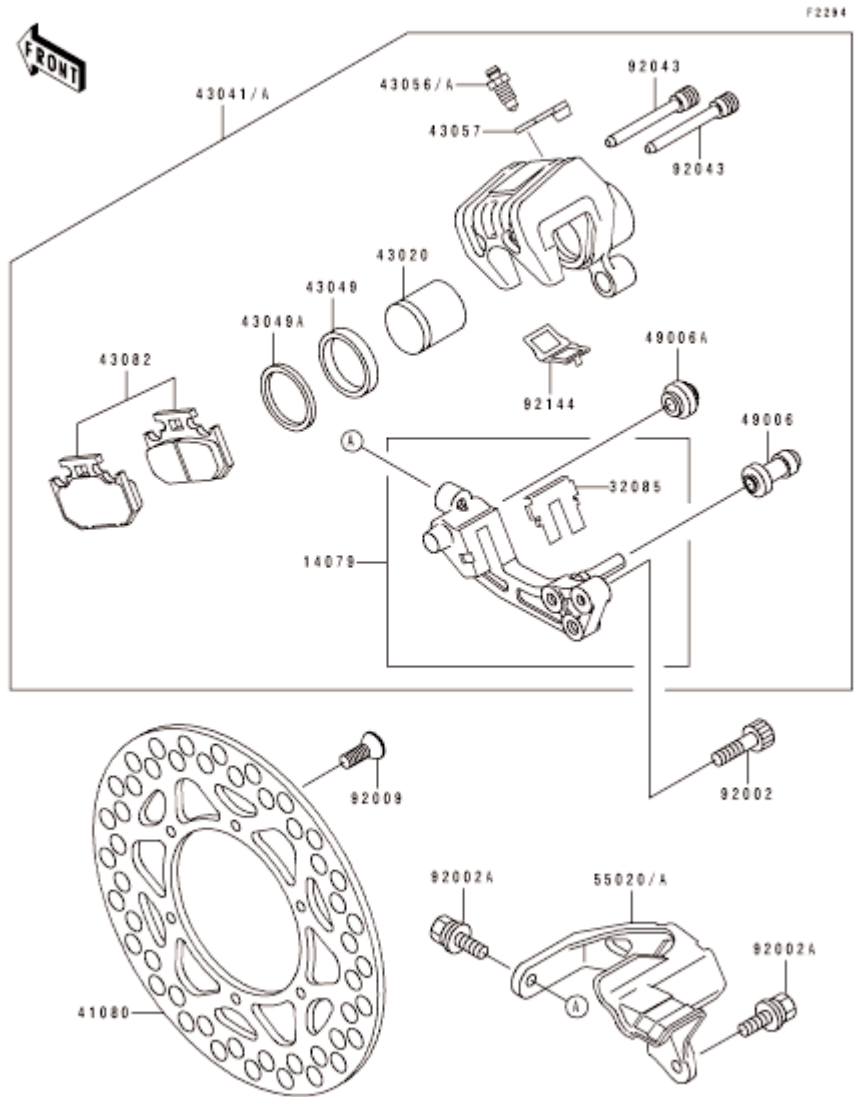
41002A:	TIRE,RR	586269-001	\$131.78
41002B:	TIRE,FR,80/100-21(BS	586288-001	\$114.69
41022:	TUBE-TIRE,80/100-21(KE125-A4~	2110-001	\$25.81
41022A:	TUBE-TIRE,100/100-18	586555-001	\$25.81
41023:	BAND-RIM,80/100-21(D	2112-001	\$7.23
41023A:	BAND-RIM,100/100-18(KZ1000-A3/A3A	586615-001	\$7.23
41024:	PROTECTOR,BEAD 1.60A	2114-001	\$51.79
41024A:	PROTECTOR,BEAD,1.85B	41024A 2115-001	\$51.79
41025A:	RIM,RR,1.85X18	586822-001	\$190.46
41025B:	RIM,FR,1.60X21	586827-001	\$190.46
41029:	SPOKE-INNER	587182-001	\$3.86
41029A:	SPOKE-INNER,RR,190MM	587206-001	\$3.86
41030:	SPOKE-OUTER	587276-001	\$3.86
41032:	NIPPLE-SPOKE	587309-001	\$2.20
41090:	WHEEL-SUB ASSY,RR (OPTION)	589080-001	\$596.78
41090B:	WHEEL-SUB ASSY,FR (OPTION)	589082-001	\$635.58

From BuyKawasaki:

Ref #	Part #	Description	Qty	Spec Code
41002A	41002-1753	TIRE,RR,100/100-18 59M,K695(D)	1	
41002B	41002-1803	TIRE,FR,80/100-21 51M,K490G(D)	1	
41022	41022-1118	TUBE-TIRE,80/100-21(D)	1	
41022A	41022-1119	TUBE-TIRE,100/100-18(D)	1	
41023	41023-1069	BAND-RIM,80/100-21(D)	1	
41023A	41023-1070	BAND-RIM,100/100-18(D)	1	
41024	41024-010	STOPPER-RIM,1.60-M(DUNLOP)	1	
41024A	41024-011	STOPPER-RIM,1.85-M(DUNLOP)	1	
41025A	41025-1231	RIM,RR,1.85X18	1	
41025B	41025-1241	RIM,FR,1.60X21	1	
41029	41029-1155	SPOKE-INNER,FR,229MMX166D	9	
41029A	41029-1199	SPOKE-INNER,RR,189MMX160D	36	
41030	41030-1108	SPOKE-OUTER,FR,222MMX166D	27	
41032	41032-1061	NIPPLE-SPOKE	72	
41090	41090-1074	WHEEL-SUB ASSY,RR	1 (OPTION)	
41090B	41090-1076	WHEEL-SUB ASSY,FR	1 (OPTION)	



1991 Kawasaki KDX200(KDX200E3)US REAR CALIPER



Description BikeBandit # QTY Price

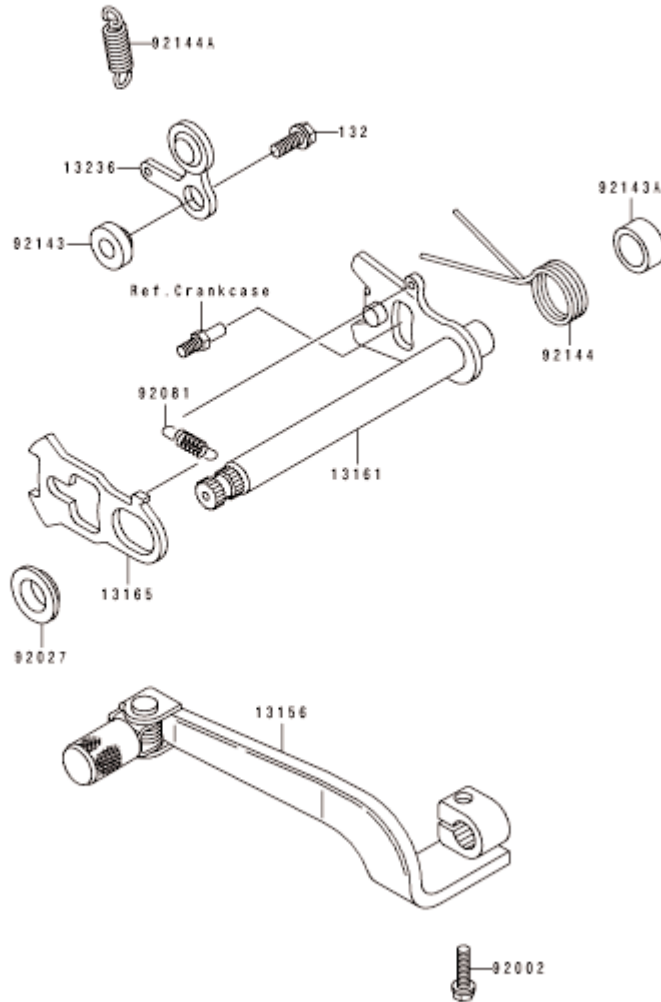
- 14079: HOLDER-ASSY,REAR CAL 555631-001 \$87.34
- 32085: STOPPER,PAD 576639-001 \$4.76
- 41080: DISC,RR 41080A 1949-001 \$139.21
- 43020: PISTON-COMP-BRAKE 591128-001 \$25.94
- 43041A: CALIPER-ASSY,RR 591559-001 \$236.82
- 43049: PACKING,PISTON SEAL 1952-001 \$9.86
- 43049A: PACKING,PISTON SEAL 43049A 1953-001 \$5.77
- 43056A: BREATHER,BRAKE 591934-001 \$7.23
- 43057: CAP-BREATHER 1725-001 \$2.76
- 43082: PAD-ASSY-BRAKE 592657-001 \$28.34
- 49006: BOOT,CALIPER 1727-001 \$6.41
- 49006A: BOOT 1728-001 \$2.99
- 55020A: GUARD,CALIPER,P.WHIT 605500-001 \$13.95
- 92002: BOLT,SOCKET,8X25 620354-001 \$2.76
- 92002A: BOLT92150C 1614-001 \$2.76
- 92009: SCREW,6X14.5 1729-001 \$2.33
- 92043: PIN,HUNGER 626941-001 \$9.33
- 92144: SPRING,PAD 634345-001 \$7.61

From BuyKawasaki:

Ref #	Part #	Description	Qty	Spec Code
14079	14079-1070	HOLDER-ASSY,REAR CALIPER	1	
32085	32085-1315	STOPPER,PAD	1	
41080	41080-1243	DISC,RR	1	
43020	43020-1088	PISTON-COMP-BRAKE	1	
43041A	43041-1430	CALIPER-ASSY,RR	1	
43049	43049-1060	PACKING,PISTON SEAL	1	
43049A	43049-1061	PACKING,PISTON SEAL	1	
43056A	43056-1055	BREATHER-BRAKE	1	
43057	43057-1001	CAP-BREATHER	1	
43082	43082-1090	PAD-ASSY-BRAKE	1	
49006	49006-1088	BOOT,CALIPER	1	
49006A	49006-1242	BOOT,CALIPER	1	
55020A	55020-1323-6F	GUARD,CALIPER,P.WHITE	1	
92002	92002-1442	BOLT,SOCKET,8X25	2	
92002A	92002-1952	BOLT,6X18	2	
92009	92009-1546	SCREW,6X14	6	
92043	92043-1416	PIN,HUNGER	2	
92144	92144-1364	SPRING,PAD	1	



E1376



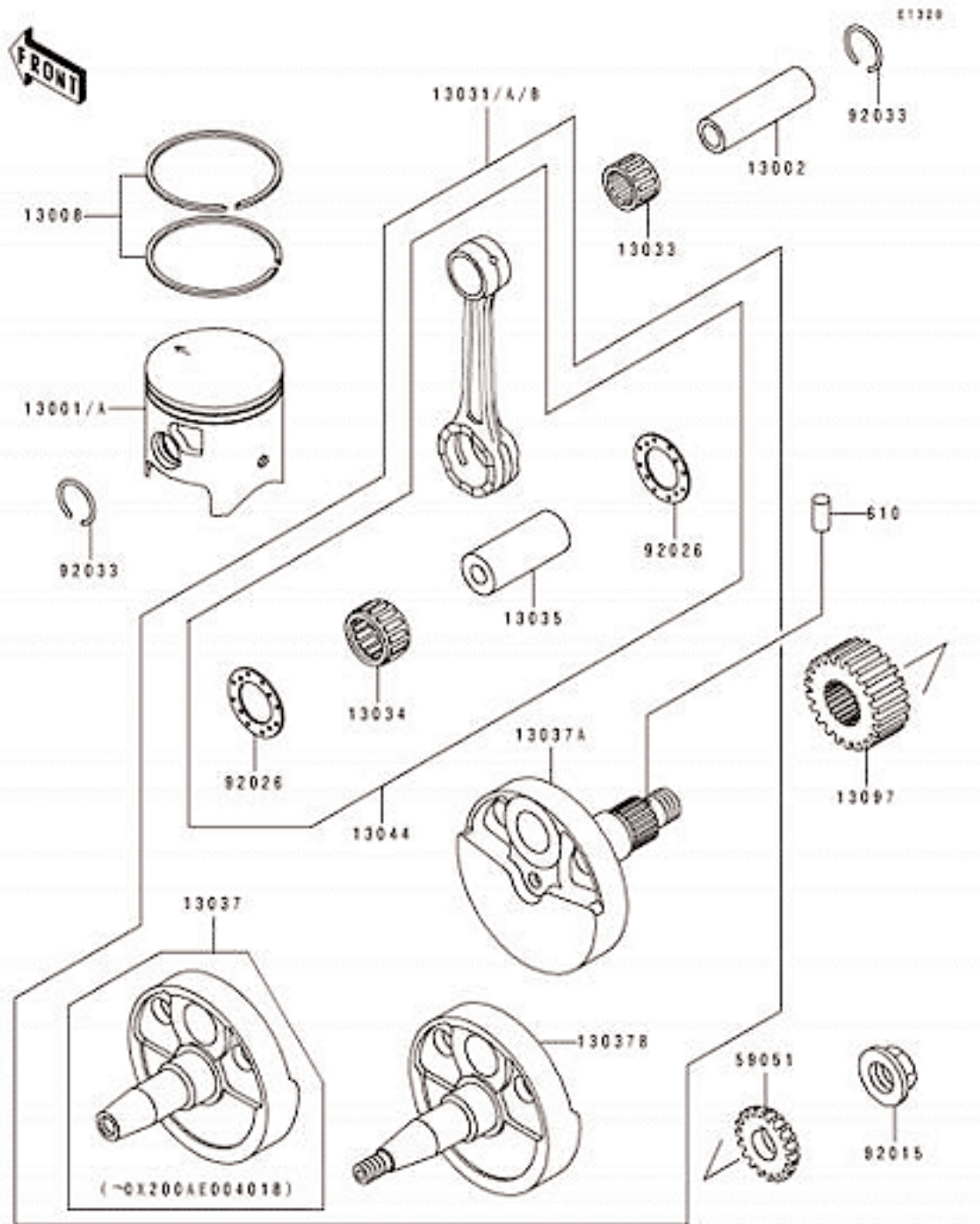
1991 Kawasaki KDX200(KDX200E3)US GEAR CHANGE MECHANISM

Description BikeBandit # QTY Price

- 132: BOLT-FLANGED-SMALL US 1543-001 \$2.09
- 13156: LEVER-CHANGE,PEDAL 548834-001 \$37.77
- 13161: LEVER-COMP-CHANGE SH 548967-001 \$30.68
- 13165: PAWL,CHANGE LEVER 549031-001 \$5.96
- 13236: LEVER-COMP,POSITION 550227-001 \$7.46
- 92002: BOLT-FLANGED,6X25 KZ1300-A3 546441-001 \$2.54
- 92027: COLLAR,CHANGE SHAFT, 624835-001 \$7.08
- 92081: SPRING-CHANGE LEVER 1822-001 \$2.99
- 92143: COLLAR 633707-001 \$3.51
- 92143A: COLLAR 1823-001 \$2.54
- 92144: SPRING 1824-001 \$6.62
- 92144A: SPRING 634355-001 \$5.37

From BuyKawasaki:

Ref #	Part #	Description	Qty	Spec Code
13156	13156-1269	LEVER-CHANGE,PEDAL	1	
13161	13161-1170	LEVER-COMP-CHANGE SHAFT	1	
13165	13165-1119	PAWL,CHANGE LEVER	1	
13236	13236-1189	LEVER-COMP,POSITION	1	
92002	92002-1339	BOLT,6X25	1	
92027	92027-1512	COLLAR,CHANGE SHAFT,L=5.5	1	
92081	92081-076	SPRING,CHANGE LEVER	1	
92143	92143-1055	COLLAR	1	
92143A	92143-1148	COLLAR	1	
92144	92144-1142	SPRING,CHANGE SHAFT RETURN	1	
92144A	92144-1382	SPRING	1	
132	132G0616	BOLT-FLANGED-SMALL	1	



CRANKSHAFT/PISTON

Description BikeBandit.com Part Number Qty. Unit Price

610: PIN DOWEL 4X8			
2034-001	\$2.33		
13001A: PISTON-ENGINE	542833-001	\$92.01	
13002: PIN-PISTON	543009-001	\$12.13	
13008: RING-SET-PISTON	543164-001	\$33.11	
13031A: CRANKSHAFT-COMP			
(DX200AE004019 -)	543917-001	\$369.46	
13033: BEARING-SMALL END	544061-001	\$11.68	
13034: BEARING-BIG END	544130-001	\$32.47	
13035: PIN	544165-001	\$21.67	
13037A: CRANKSHAFT,RH	544359-001	\$132.96	
13037B: CRANKSHAFT,LH	544366-001	\$132.96	
13044: SET-CONNECTING ROD	544601-001	\$100.49	
13097: GEAR-PRIMARY SPUR,22	546225-001	\$42.01	
59051: GEAR-SPUR,WATER PUMP	614487-001	\$17.32	
92015: NUT			
622309-001	\$9.86		
92026: WASHER SIDE	624069-001	\$4.76	
92033: RING-SNAP,PISTON PIN	625831-001	\$2.09	